



Orlando Ricardo Santos
www.osp-lda.com

Orlando Ricardo Correia dos Santos

Av. Raimundo Rodrigues, N° 1473 - 2º Esq. Sul

3885-412 ESMORIZ

Tel / Fax ++351 256 755694

GSM ++351 91 9864982

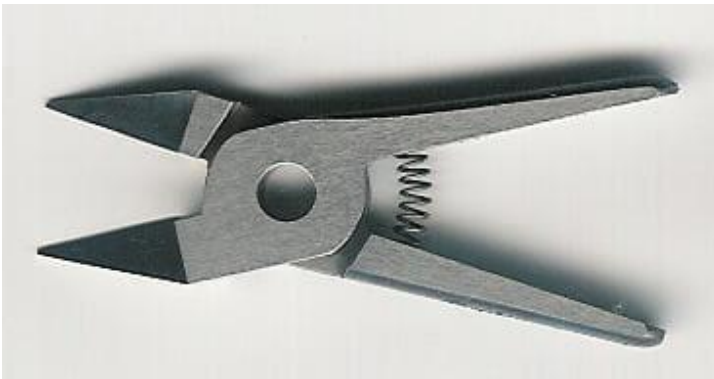
E-mail: geral@osp-lda.com Skype: geral@osp-lda.com

BLADES AND SCISSORS

The ORLANDO RICARDO SANTOS also has now in its roll of products for all marks of winding machines, blades and scissors for wire cut.

Our blades and scissors are produced in Portugal, with steel of the best quality and exported to all Europe and South America.

We make blades and scissors in accordance with the dimensions request for the customer.



We only make the part of the blades as complete scissor, with all the dimensions.
Check our prices.



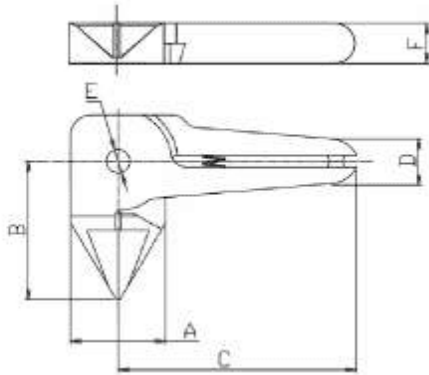
SERIE JWL-A and JWH-A

Nipper Cutters

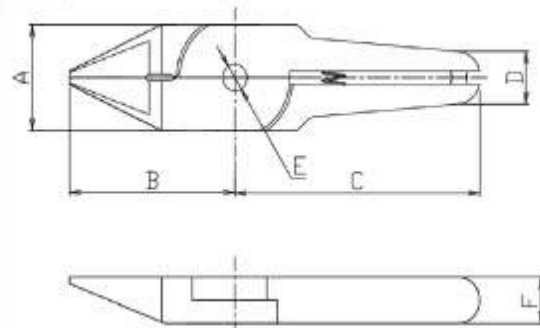
Nipper Cutters are used in automatic coil Winding machines for the cutting of copper wire.

The cutter's blades are made of tungsten carbide material with excellent wear resistance and a lifespan of up to 1 million cuts.

JWL-A



JWH-A



MODEL	A	B	C	D	E	F
JWH-A / JWH-B	16	27	40	8.8	∅ 4	7
JWH-X / JWX-B	16	27	40	8.8	∅ 4	7
JWL-A / JWR-B	16	24	40	8.8	∅ 4	7

SERIE GP-3 and GS-3

Pneumatic Actuators for Nipper Cutters

Pneumatic actuators for Nipper Cutters are used in automatic coil Winding machines for cutting of copper wires.

The cylinder is made of pressurized aluminium alloy, with the surface hardened. High quality ring-seals and grease are used, with a lifespan of up to 2 million activations.



CYLINDER MODEL	CUTTER MODEL	COMPRESSED AIR	MAX. DIAMETER
GP-3/ GS-3	JWH-A / JHW-B / JWX-A	4-5 Kg/cm ²	0.8
GP-3A/ GS-3A	JWX-B / JHL-A / JWR-A	4-5 Kg/cm ²	0.8
GP-3L	JWX-B / JHL-A / JWR-A	4-5 Kg/cm ²	0.8